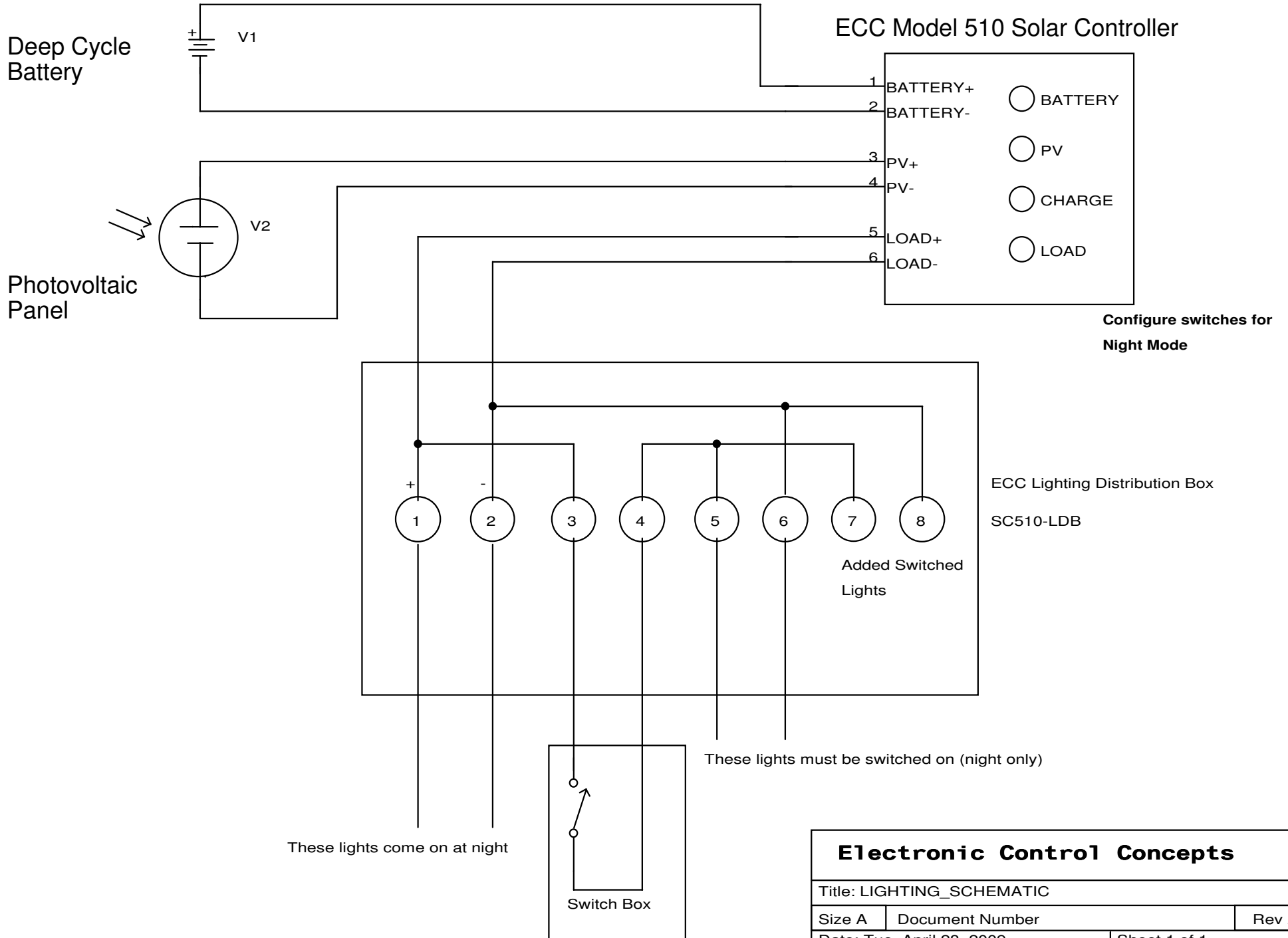


# LIGHTING



## Electronic Control Concepts

Title: LIGHTING\_SCHEMATIC

Size A | Document Number

Rev A

Date: Tue, April 28, 2009

Sheet 1 of 1